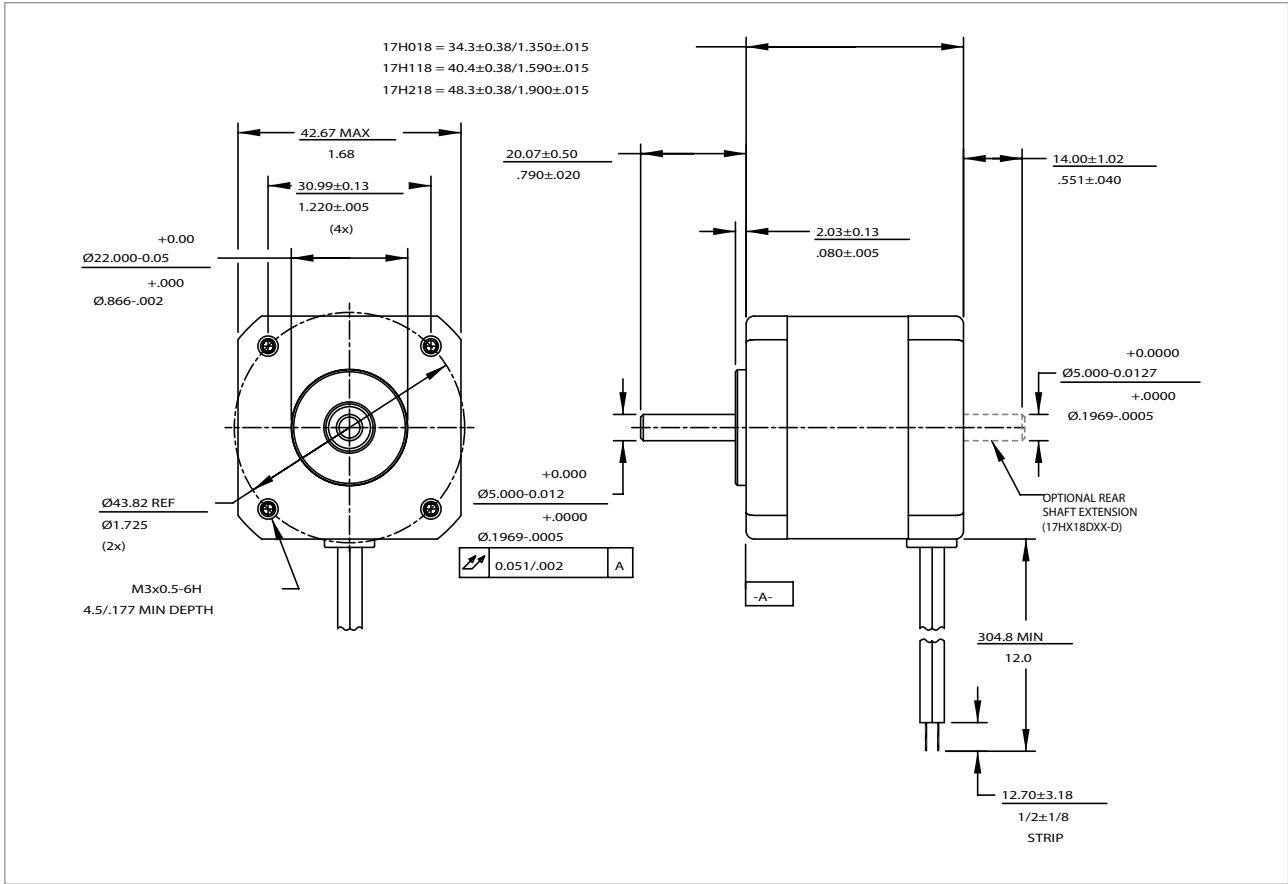


17HX18D



Motor Part Number			17HX18D05B	17HX18D10B	17HX18D15B
			17HX18D05B-D	17HX18D10B-D	17HX18D15B-D
Resistance per phase, ± 10%	Short Stack	ohms	13.28	3.32	1.47
	1 Stack	ohms	16.48	4.12	1.83
	2 Stack	ohms	17.96	4.49	2.00
Inductance per phase, typ	Short Stack	mH	17.70	3.80	1.60
	1 Stack	mH	20.20	6.50	2.85
	2 Stack	mH	26.70	6.50	3.20
Rated current per phase *		amps	0.5	1.0	1.5
Holding torque, typical *	Short Stack	oz-in / Nm		30 / 0.21	
	1 Stack	oz-in / Nm		51 / 0.36	
	2 Stack	oz-in / Nm		65 / 0.46	
Thermal resistance	Short Stack	°C/watt		6.21	
	1 Stack	°C/watt		5.40	
	2 Stack	°C/watt		4.71	
Detent torque, typical	Short Stack	oz-in / Nm		1.6 / 0.011	
	1 Stack	oz-in / Nm		2.5 / 0.017	
	2 Stack	oz-in / Nm		3.2 / 0.023	
Rotor moment of inertia	Short Stack	oz-in-s ² / kg-cm ²		.00051 / 0.04	
	1 Stack	oz-in-s ² / kg-cm ²		.00075 / 0.05	
	2 Stack	oz-in-s ² / kg-cm ²		.00106 / 0.07	
Step angle, ± 5% *		degrees		1.8	
Steps per revolution *				200	
Ambient temperature range					
Operating		°C		-20 ~ +40	
Storage		°C		-40 ~ +85	
Bearing type				Ball bearing	
Insulation resistance at 500vdc		Mohms		100 megohms	
Dielectric withstanding voltage		vac		1200 for 1 second	
Weight	Short Stack	lb / kg		0.45 / 0.20	
	1 Stack	lb / kg		0.57 / 0.26	
	2 Stack	lb / kg		0.76 / 0.34	
Shaft load ratings, max at 1500 rpm					
Radial		lb / kg		15 / 6.8 (at shaft center)	
Axial		lb / kg		6 / 2.7 (Push)	
Axial		lb / kg		15 / 6.8 (Pull)	
Leadwires				AWG 26 UL 3266	
Temperature class, max				B (130°C)	
RoHS				COMPLIANT	

ALL MOTOR DATA VALUES AT 20°C UNLESS OTHERWISE SPECIFIED
* ENERGISE AT RATED CURRENT, 2 PHASE ON

17HX18D (Contd..)

Motor Part Number			17HX18D05U	17HX18D10U	17HX18D15U
			17HX18D05U-D	17HX18D10U-D	17HX18D15U-D
Resistance per phase, ± 10%	Short Stack	ohms	13.28	3.32	1.47
	1 Stack	ohms	16.48	4.12	1.83
	2 Stack	ohms	17.96	4.49	2.00
Inductance per phase, typ	Short Stack	mH	6.05	1.55	0.84
	1 Stack	mH	9.65	2.85	1.15
	2 Stack	mH	11.30	3.20	1.55
Rated current per phase *		amps	0.5	1.0	1.5
Holding torque, typical *	Short Stack	oz-in / Nm		21 / 0.15	
	1 Stack	oz-in / Nm		38 / 0.27	
	2 Stack	oz-in / Nm		47 / 0.33	
Thermal resistance	Short Stack	°C/watt		6.21	
	1 Stack	°C/watt		5.40	
	2 Stack	°C/watt		4.71	
Detent torque, typical	Short Stack	oz-in / Nm		1.6 / 0.011	
	1 Stack	oz-in / Nm		2.5 / 0.017	
	2 Stack	oz-in / Nm		3.2 / 0.023	
Rotor moment of inertia	Short Stack	oz-in-s ² / kg-cm ²		.00051 / 0.04	
	1 Stack	oz-in-s ² / kg-cm ²		.00075 / 0.05	
	2 Stack	oz-in-s ² / kg-cm ²		.00106 / 0.07	
Step angle, ± 5% *		degrees		1.8	
Steps per revolution *				200	
Ambient temperature range					
Operating		°C		-20 ~ +40	
Storage		°C		-40 ~ +85	
Bearing type				Ball bearing	
Insulation resisance at 500vdc		Mohms		100 megohms	
Dielectric withstanding voltage		vac		1200 for 1 second	
Weight	Short Stack	lb / kg		0.45 / 0.20	
	1 Stack	lb / kg		0.57 / 0.26	
	2 Stack	lb / kg		0.76 / 0.34	
Shaft load ratings, max at 1500 rpm					
Radial		lb / kg		15 / 6.8 (at shaft center)	
Axial		lb / kg		6 / 2.7 (Push)	
Axial		lb / kg		15 / 6.8 (Pull)	
Leadwires				AWG 26 UL 3266	
Temperature class, max				B (130°C)	
RoHS				COMPLIANT	

ALL MOTOR DATA VALUES AT 20°C UNLESS OTHERWISE SPECIFIED
* ENERGISE AT RATED CURRENT, 2 PHASE ON